

Maintain and Cleaning

(1)Daily basis: Drying our faucets with a soft cloth immediately after using them.

(2)The thermo must be taken care of monthly.

1. Prevent the impurity of water from disturbing the delicate parts in thermostatic mixer. Follow the steps as following.

Press the safety button and roll the handle to the left(Hot) end, turn on the handle of outlet for 10 seconds.

Then roll the handle to the right(COLD) end for 10 seconds.

Repeat the above steps for several times.

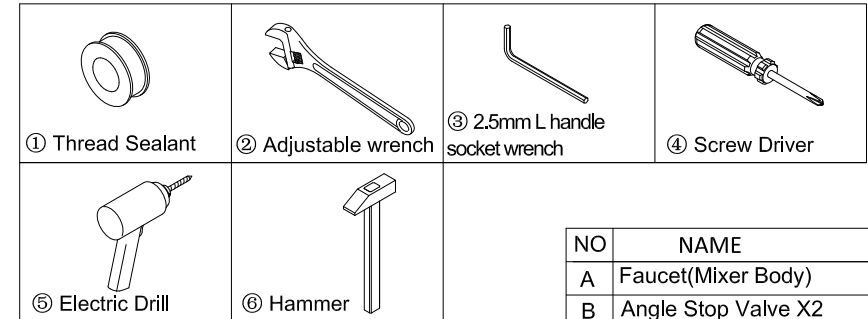
2. Then please turn off the outlet and place the handle to original setting position.

classic®

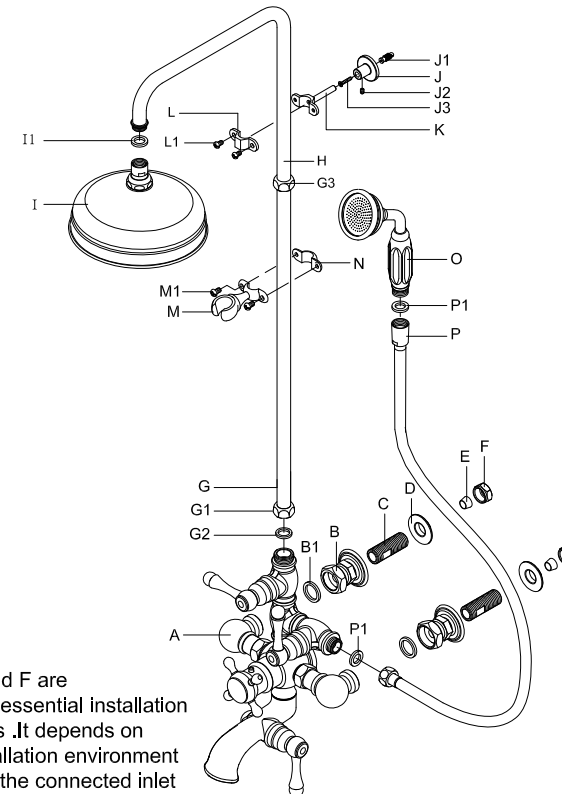
65C1030

Thermostatic Shower Mixer Installation Instructions

Tools and Materials



Names of Component



E and F are non-essential installation parts .It depends on installation environment and the connected inlet pipe.

NO	NAME
A	Faucet(Mixer Body)
B	Angle Stop Valve X2
B1	Angle Stop Valve Sealed Packing X2
C	Fixed Adapter X2
D	Washer X2
E	Packing X2
F	Fixish Hex Steel Nut X2
G	Tube
G1	Fixing Nut of Mixer Body
G2	Sealed Packing of Fixing Nut
G3	Fixing Nut of L tube
H	L tube
I	Shower Head
I1	Sealed Packing of Shower Head
J	Pipe Fixing Base of L tube
J1	Plastic Nail Guides Sleeve
J2	Inner Hex Screw
J3	Cross Screw Nail
K	Fixed Sheet of Bracket
L	Fixed Sheet of Bracket
L1	Round Nut X2
M	Bracket of Hand Shower
M1	Screw of Bracket X2
N	Fixed Sheet
O	Hand Shower
P	Hose
P1	Sealed Packing of Hose X2

Installation Process

(1)

Apply thread sealant on (C).(Photo I) ◦

Install the wrapped (C) through the reserved mounting hole and adjust the required locking length, then install (D) on (C) to the end.(Photo II)

Short side
of screw

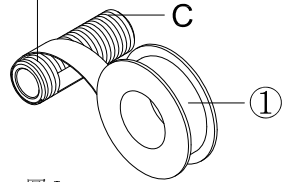
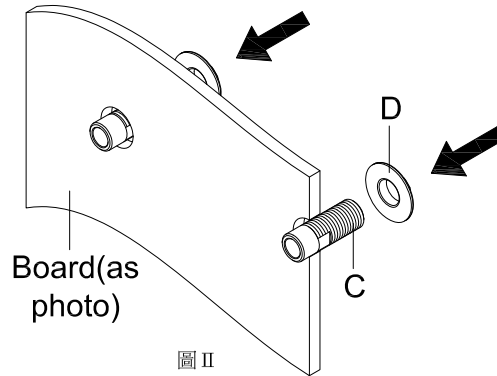


圖 I

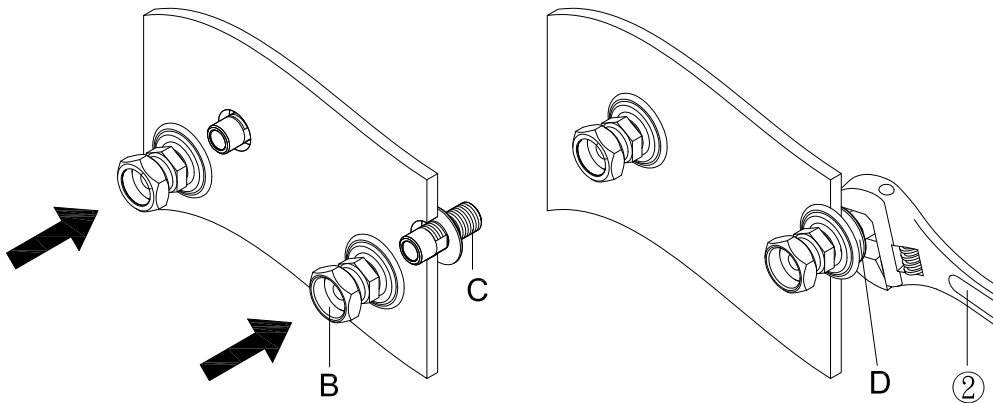


Board(as
photo)

圖 II

(2)

Lock (B) on (C) and fasten (D) with adjustable wrench.(Photo II)



Usage instruction

Features

(1) Switch Handle

Head Shower : roll the handle to counter clockwise direction

Hand Shower:roll the handle to counter clockwise direction

Tub Spout:roll the handle to counter clockwise direction

(2) Thermo - control handle

It specialize in controlling the thermostatic faucet setting and outlet water temperature.
38 degree water:Original setting when goods be received.

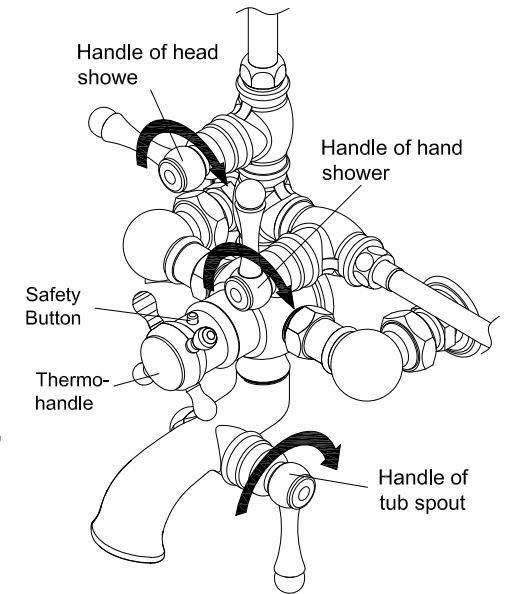
Hot water: press the safty button and roll the handle to left(HOT)

Cold water:roll the handle to right (COLD)

[No need to press the safety button]

(3) Safety button:

Prevent the user incautiously rolled the control handle to hot end and cause scalding.



Suitable Environment

(1) Suitable Heating water system:

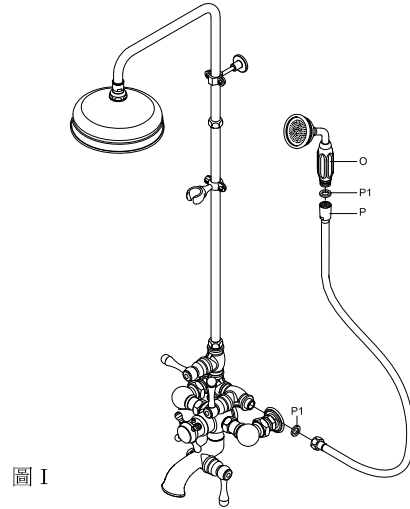
Gas boiler, Digital thermo-gas boiler and instantaneous water boiler.

(2) Suitable water pressure:1-3.5 kgf/cm²

Installation Process

(10)

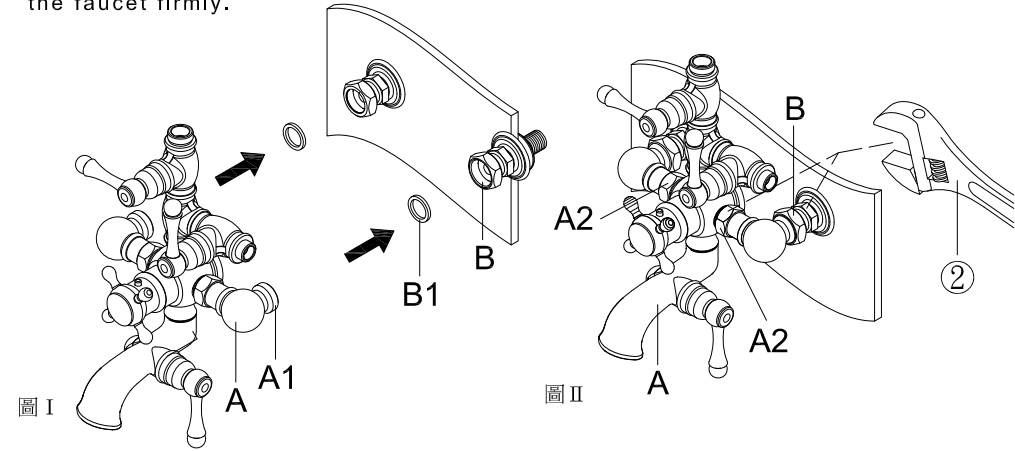
Insert (P1) between Hex Socket Cap Screw and Hand Shower, then tighten tube on (P) and hand shower.



Installation Process

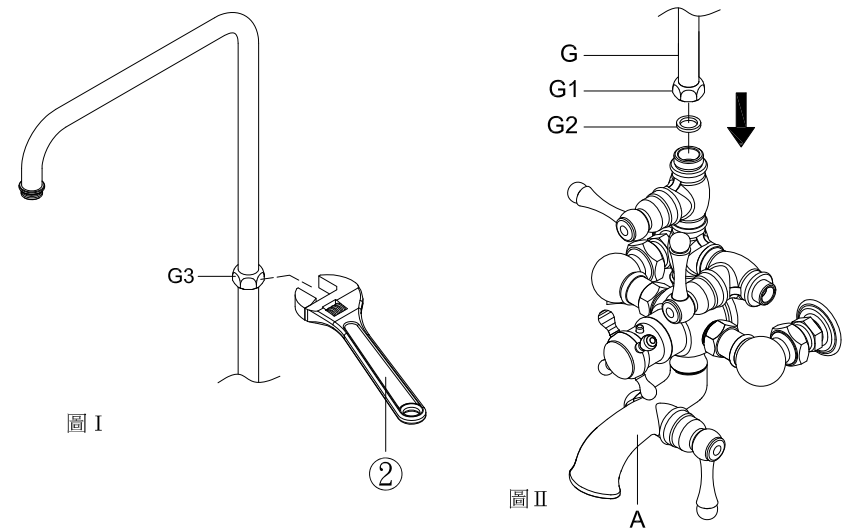
(3)

Insert (B1) into (B) and check that (B1) is well placed (Photo I). Lock (A) on (B), then tighten hex nut on (B) with adjustable wrench, securely install the faucet body (A) on (B), then fasten (A2) on both sides of the faucet firmly.



(4)

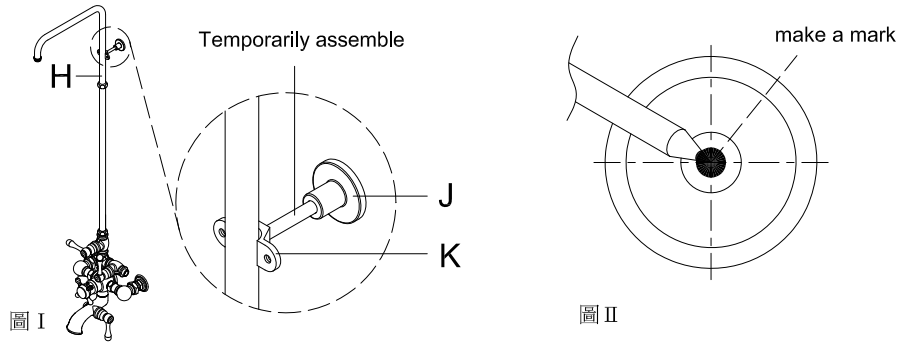
Loosen (G3) with adjustable wrench and adjust (H) to appropriate height and tighten it (Photo I). Install (G1), (G2) on faucet body (A), slightly fasten (G1). (Photo II)



Installation Process

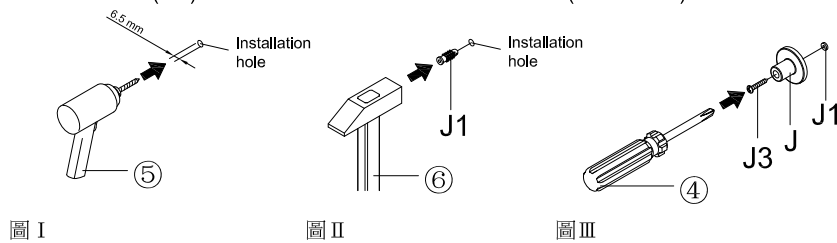
(5)

Temporarily assembling (J) and (K) on (H), decide the appropriate height as the installation position of (J) (Photo I). And make a mark on the mounting hole.



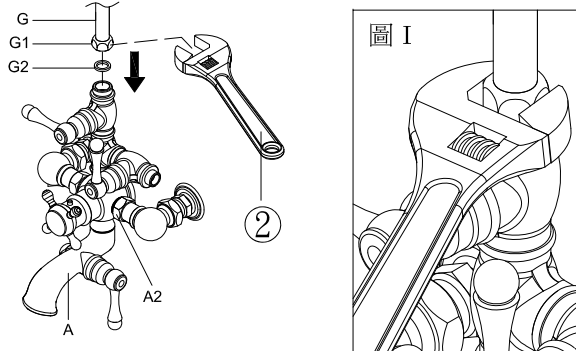
(6)

After confirming the position of J, drill a installation hole in diameter 6.5X30mm depth on the wall with electric drill(Photo I). Then knock (J1) into the hole with Hammer (Photo II). After completing the above actions, lock (J3) and (J) into the hole of Plastic Nail Guides Sleeve (J1) on the wall with screw driver. (Photo III)



(7)

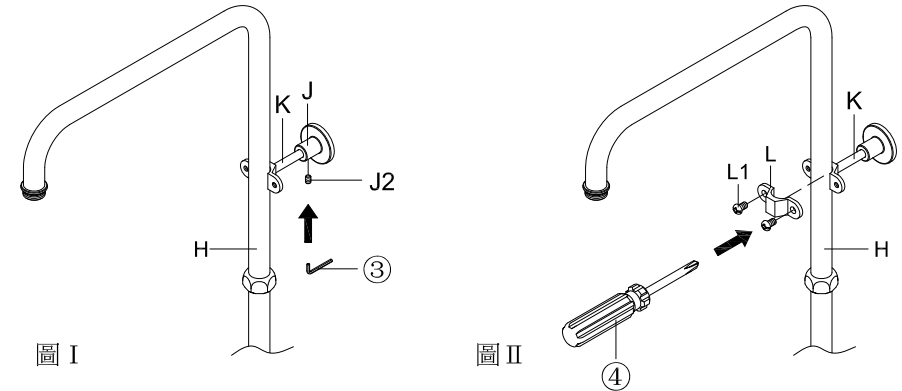
Insert (G2) into (G1) and fasten (G1) on faucet body (A) with Adjustable wrench, make sure the tube fixed on (A).



Installation Process

(8)

Adjust the distance of (K) to (J) so that (H) is upright, lock (J2) on (J) with 2.5m/m L handle socket wrench(Photo I). After installing (L1) through the (L) mounting hole and approaching (L) to (K), lock (L1) with screw driver so that (L) and (K) stand firmly on (H) (Photo II).



(9)

Adjust (M), (N) to appropriate height, install (M1) through mounting hole (M) and make sure (M) is on (N)(Photo I). tighten M1 with screw driver, then (M), (N) could fix on (G). Make sure (I1) placed well in the connector of (I), tighten (I1) on (H) with adjustable wrench. Securely tighten (I) on (H) without loosening (Photo II).

