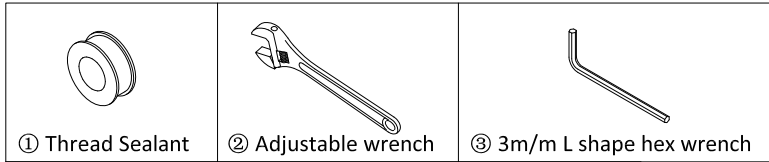


# KNN1777

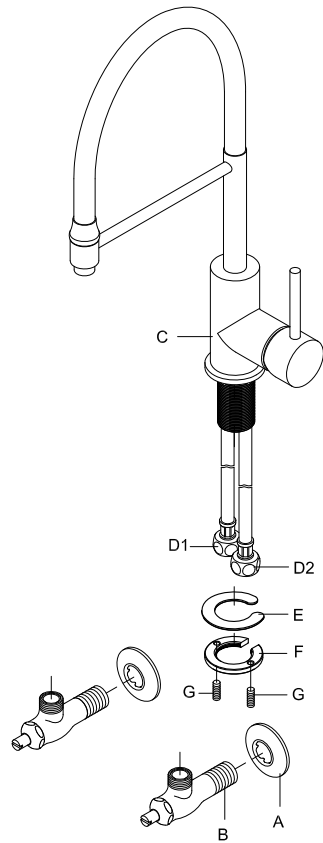
## Single lever deck mounted kitchen faucet mixer Installation Instructions

### Tools and Materials



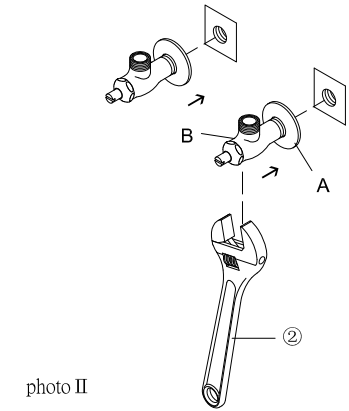
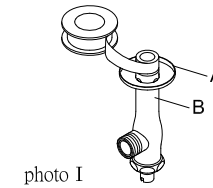
### Names of Component

NO	NAME
A	Flange Cover
B	Angle Stop Valve
C	Faucet ( Mixer Body)
D	Braided hoses ( D1, D2)
E	Washer
F	Brass Washer
G	Fixing Screws

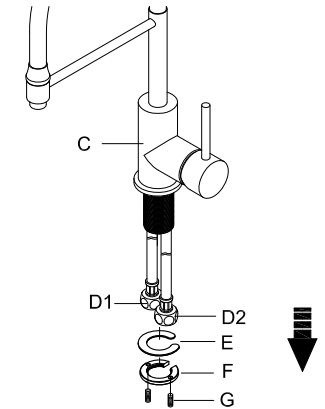


### Installation process

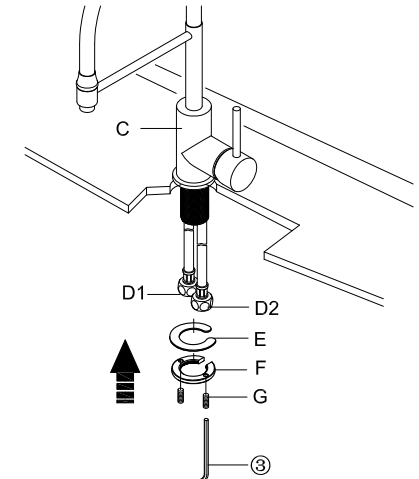
(1)  
Install B into A, then apply pipe sealant to threads on B (photo I.) Wrenched B+ A to water supply hose ( photo II)



(2)  
Release G, E, F from faucet body.



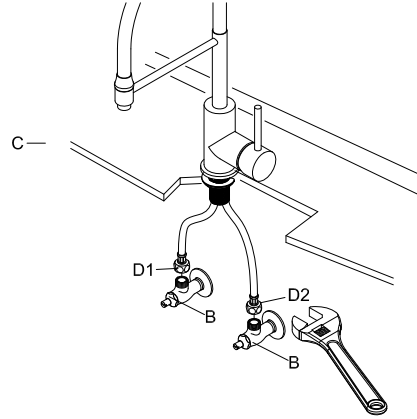
(3)  
Put faucet body C on the deck and let the braided hoses go through the setting hole of the deck. Placing E, F, G in order . Then wrench G tightly by "3m/m L shape hex wrench." Then make sure faucet body C stands on the deck firmly.



## Installation process

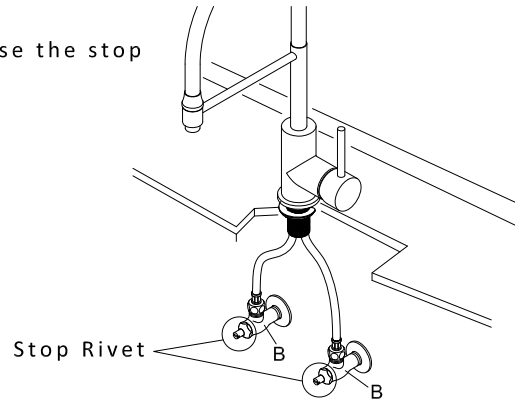
(4)

Insert D1 on the hot side Angle stop valve B, and D2 on the other side. Wrench the nut tightly on the angle vale.



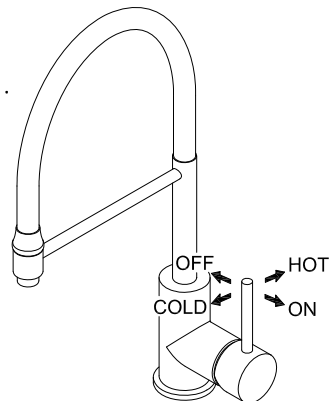
(5)

Installation finished. (Release the stop rivet on the stop valve B. )



## Usage instruction

Handle be push out/ down- dispensing water on.  
Handle be push in/ up- dispensing water off.  
Pull to the right- cold water.  
Pull to the left- hot water.



## Maintain and Cleaning

(1)

Day to day basis: Drying our faucets with a soft cloth immediately after using them.

(2)

Spraying our faucets with mild cleaner ( PH value = 7), followed by cleaning them with water then drying them with a dried-soft cloth.

(3)

Aerator which be installed at spout of faucet should be taken off and cleaned in case mineral deposits blocked the filtered net. It will cause the volume of water given decreased.

