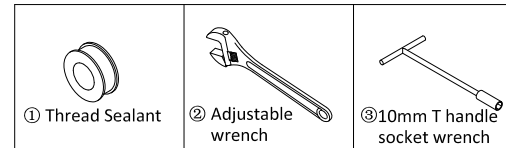


**classic**<sup>®</sup>

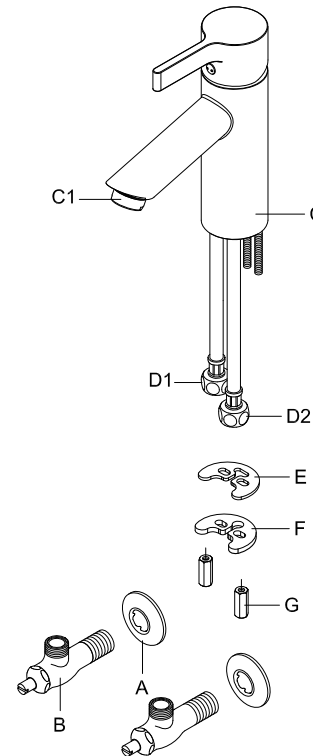
**BNP1617**

# Single Lever Basin Faucet Installation Instructions

## Tools and Materials



## Names of Component

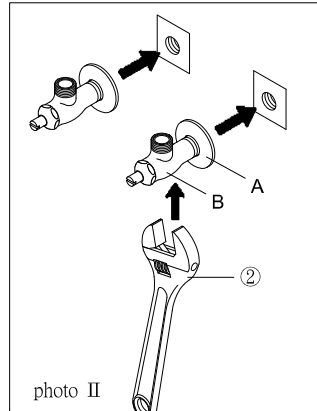
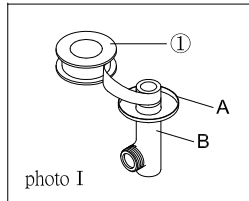


NO	NAME
A	Flange Cover
B	Angle Stop Valve
C	Faucet ( Mixer Body)
C1	Aerator
D	Braided hoses ( D1, D2)
E	Washer
F	Brass washer
G	Fixing Screws

## Installation Process

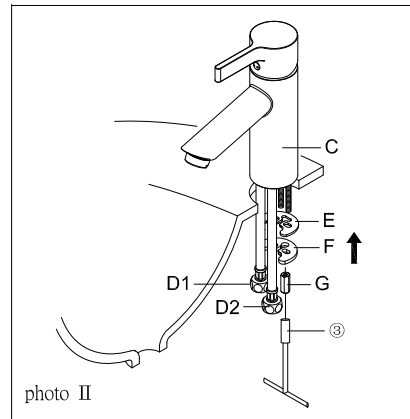
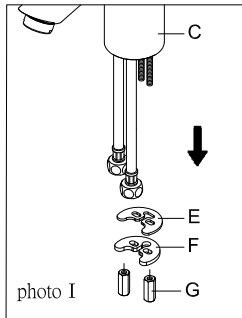
(1)

Install (B) into (A), then apply pipe sealant to threads on (B) (photo I.) Tighten (B) and (A) to water supply hose with an wrench( photo II)



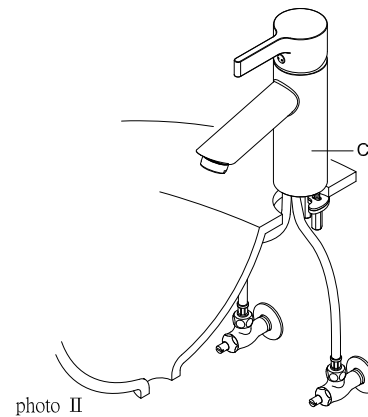
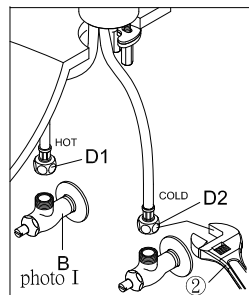
(2)

Loosen (G), (F), (E) by order.(photo I)  
Place (C) on the place where deck been drilled, install (E),(F) by order and tighten (G) on (C) with 10mm T handle socket wrench.  
Then make sure faucet body C stands on the deck firmly.



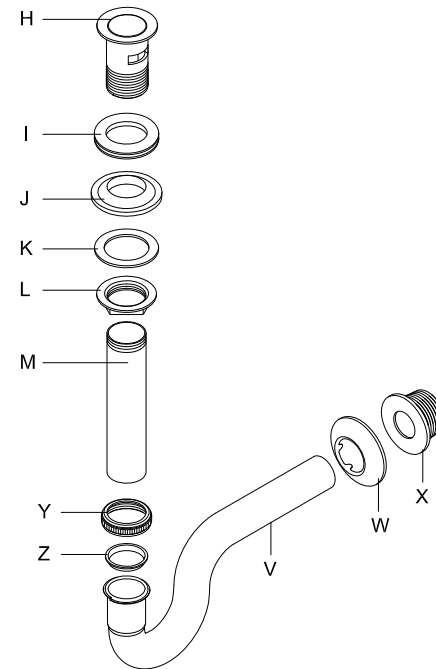
(3)

Screw (D1,D2) on valve (B), then tighten hex nut with a wrench.  
(D1) connect to hot water supply, and (D2) connect to cold water supply.



# Pop-Up Drain Installation Instruction

## Names of Component



NO	NAME
H	Flange
I	平皮橡膠
J	Gasket
K	Washer
L	Nut
M	Drain Tube
W	Flange Cover
V	P Trap
X	Rubber washer
Y	Nut
Z	Washer

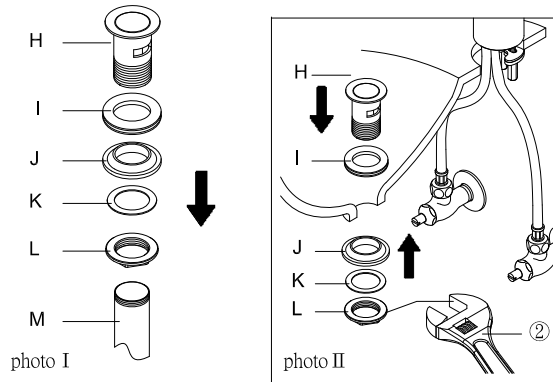
## Installation Process

(1)

Loosen (J), (K), (L),(M) by order.(photo I)

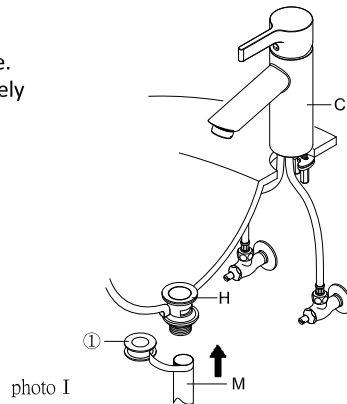
Wrap the top 2/3 threads of the flange (H) with three layers of sealant tape.

Insert the flange(H) into the fixture drain hole. Install (J) and (K) by order and securely tighten (L) on (H).(photo II)



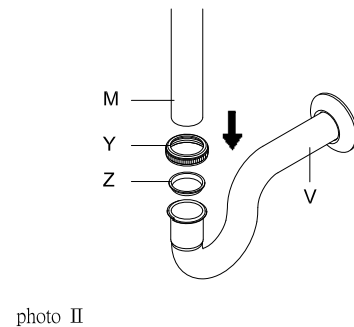
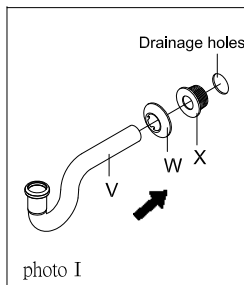
(2)

Wrap the threads of tube (M) with sealant tape. Insert the tube(M) into the Flange (H) and securely tighten (M) on (H).(photo I)



(3) Insert P trap(V) into (W) and (X), and install into the drain hole on the wall.(photo I)

Loose the (Y) and (Z), Insert (M) through (Y)and (Z), securely tighten(Y) on(M). (photo II)



## Installation Process

(4)

Complete the installation of pop-up drain and P trap. Ensure that all connections are tight.

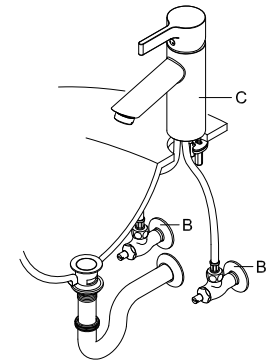
Remove the aerator by turning it counterclockwise.

Open the drain.

Turn on the main water supply and check for leaks.

Open both hot and cold valves and run water through the spout for about a minute to remove debris. Check for leaks. Turn valves off.

Remove any debris from the aerator and reinstall.



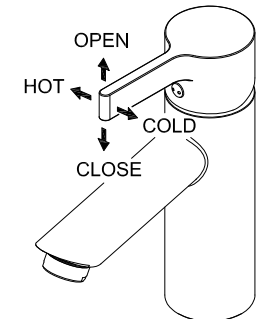
## Usage instruction

Handle be pull up - dispensing water on

Handle be push down - dispensing water off

Pull to the right- cold water

Pull to the left- hot water



## Maintain and Cleaning

(1) Day to day basis: Drying our faucets with a soft cloth immediately after using them.

(2) Spraying our faucets with mild cleaner ( PH value = 7), followed by cleaning them with water then drying them with a dried- soft cloth.

(3) Aerator which be installed at spout of faucet should be taken off and cleaned in case mineral deposits blocked the filtered net. It will cause the volume of water given decreased .

