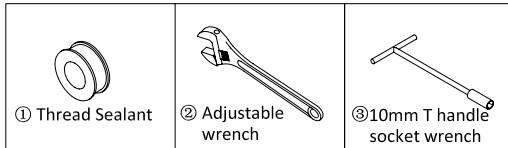


# classic<sup>®</sup> KNT81066

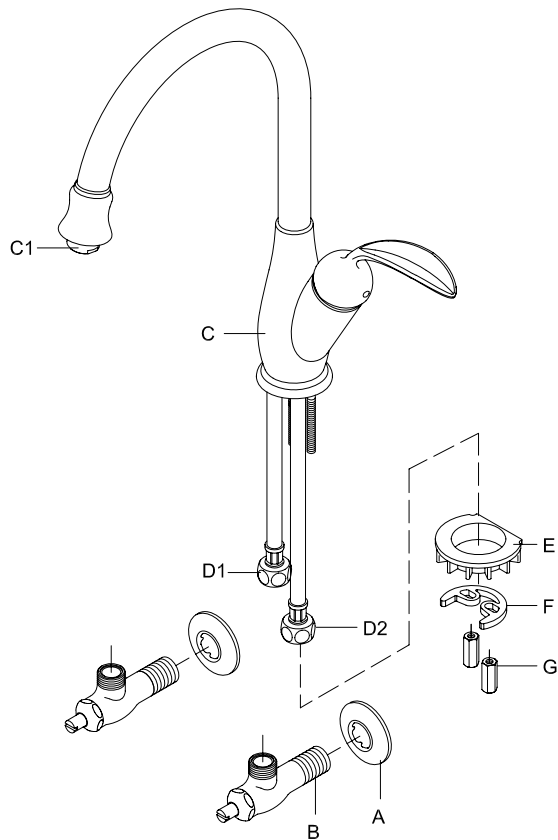
## Single Lever Kitchen Faucet

### Installation Instructions

#### Tools and Materials



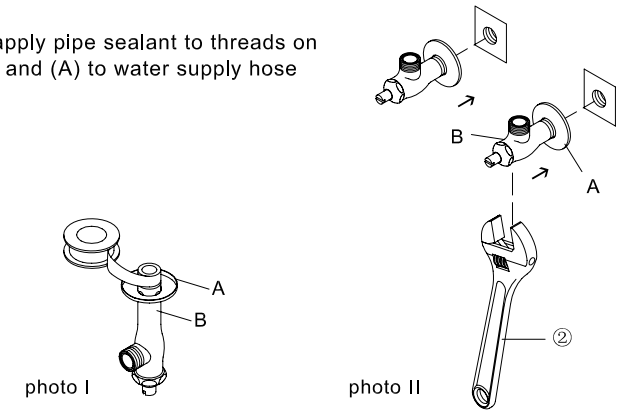
#### Names of Component



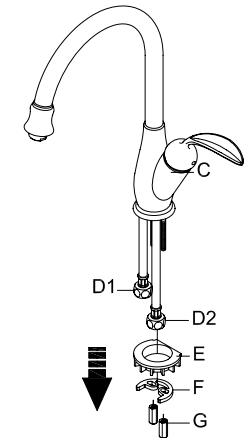
NO	NAME
A	Flange Cover
B	Angle Stop Valve
C	Faucet ( Mixer Body)
C1	Aerator
D	Braided hoses ( D1, D2)
E	Rubber Washer
F	Washer
G	Fixing Nuts

#### Installation process

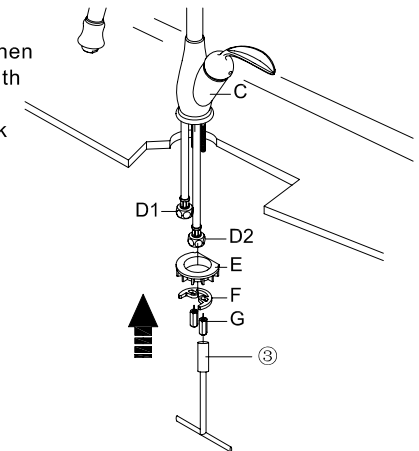
(1)  
Install (B) into (A), then apply pipe sealant to threads on (B) (photo I.) Tighten (B) and (A) to water supply hose with an wrench( photo II)



(2)  
Loosen (G), (F), (E) by order.



(3)  
Place (C) on the place where deck been drilled, then install (E) & (F) by order and tighten (G) on (C) with 10mm T handle socket wrench. Then make sure faucet body C stands on the deck firmly.

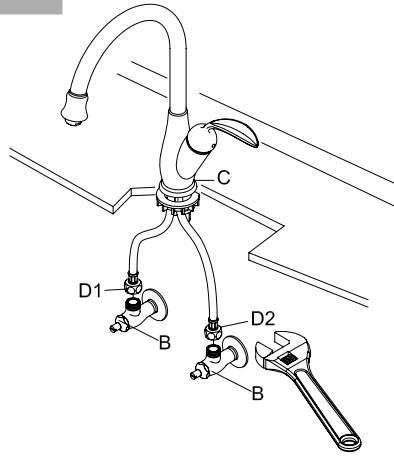


## Installation process

(4)

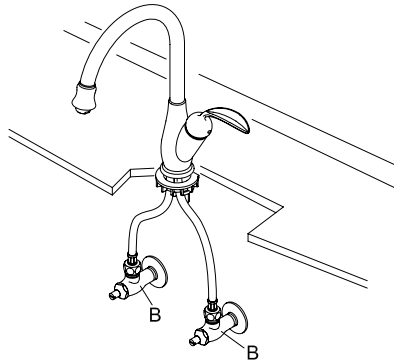
Screw (D1,D2) on valve (B), then tighten hex nut with a wrench.

(D1) connect to hot water supply, and (D2) connect to cold water supply.



(5)

Release the stopping water rivet of Angle Stop Valve B.



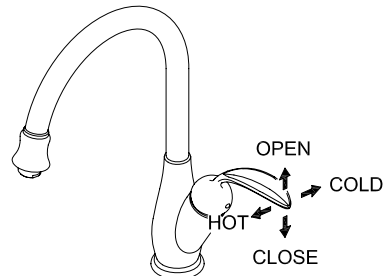
## How to Use

Handle be pull up - dispensing water on

Handle be push down - dispensing water off

Pull to the right- cold water

Pull to the left- hot water



## Maintain and Cleaning

- (1) Day to day basis: Drying our faucets with a soft cloth immediately after using them.
- (2) Spraying our faucets with mild cleaner ( PH value = 7), followed by cleaning them with water then drying them with a dried- soft cloth.
- (3) Aerator which be installed at spout of faucet should be taken off and cleaned in case mineral deposits blocked the filtered net. It will cause the volume of water given decreased .

