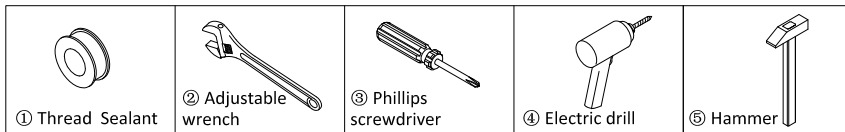
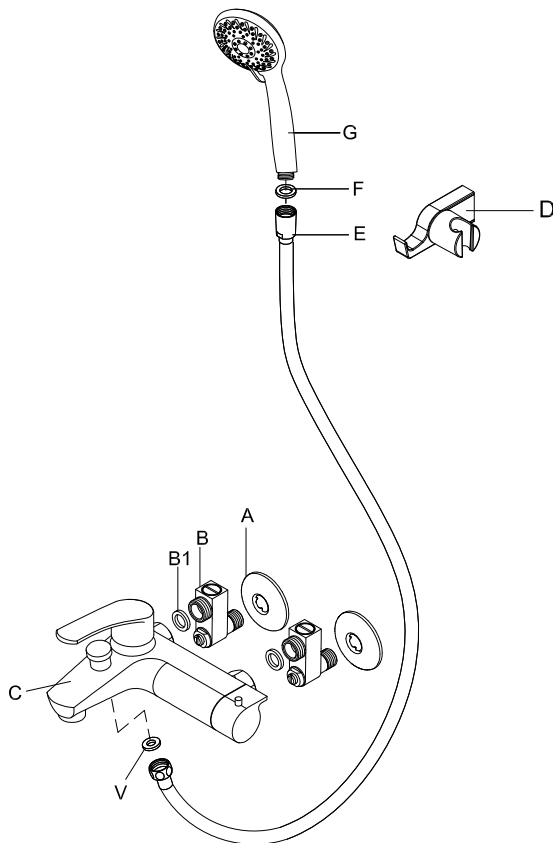


Tools and Materials



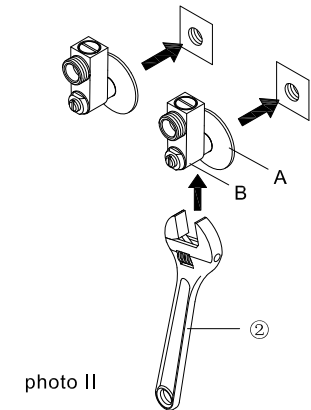
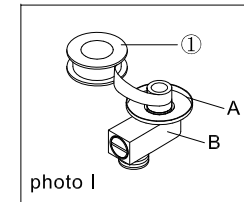
Names of Component



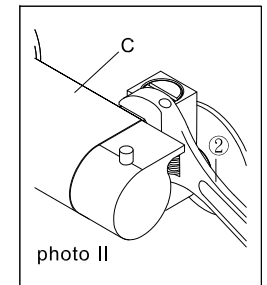
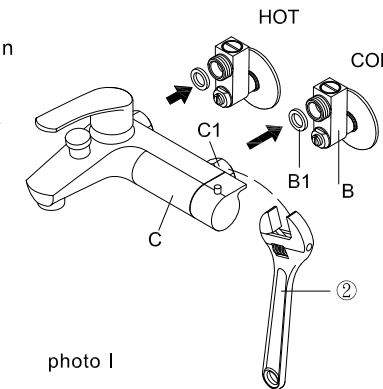
NO	NAME
A	Flange Cover
B	Check Valve with stopping water rivet
B1	Packing
B2	plastic filter
C	Faucet (Mixer Body)
D	Bracket
E	Hand Shower Hose
F	Packing
G	Hand Shower
V	Packing

Installation process

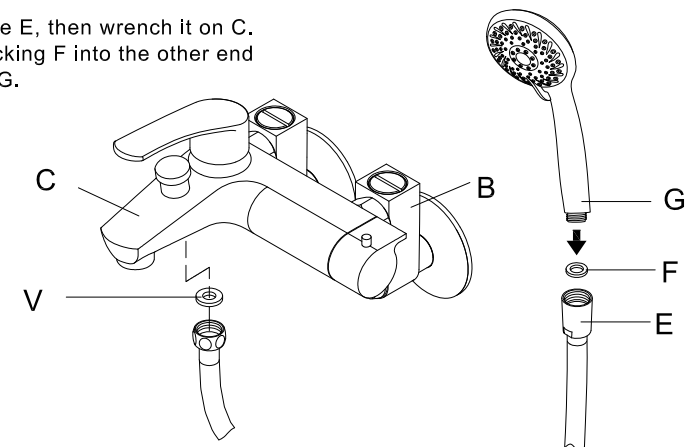
(1)
Install B into A, then apply pipe sealant to threads on B (photo I) Wrenched B + A to water supply hose (photo II)



(2)
Install B1 into hot and cold inlets (C1), which located in the rear of faucet body C. Then, wrench C1 to B and make sure the faucet body C is stabilized on B (photo I.)

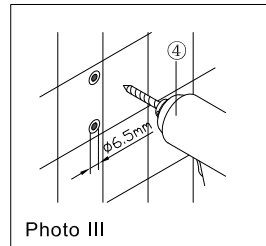
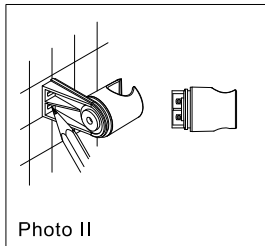
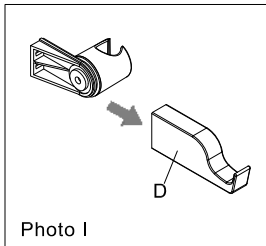


(3)
Insert V into shower hose E, then wrench it on C. Then put filtered net packing F into the other end of E. Connecting E and G.

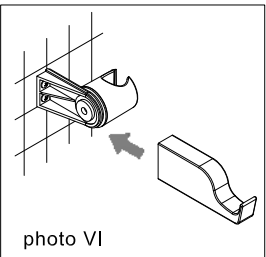
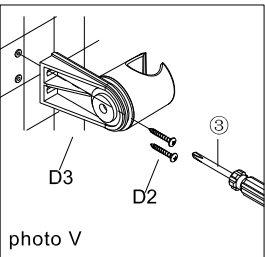
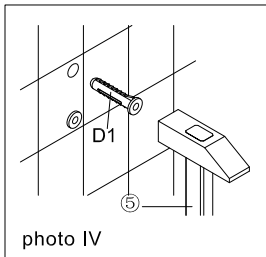


Bracket Installation Process

1. Separate D into bracket cover cap and base. (photo I)
2. The hook is placed in a predetermined mounting position and marking. (photo II)
3. Using electric drill to drill 2 holes in diameter $\Phi 6.5 \times 30$ mm depth at the ideal position for bracket D. The holes are used for Plastic Nail Guides Sleeve D1. (Photo III)

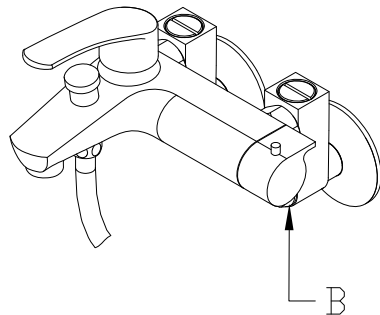


4. Hammering D1 into the hole. (Photo IV)
5. Using Phillips screwdriver to screw D2 (screws) and base D3 into D1 (Plastic Nail Guides Sleeve.) (photo V)
6. Make sure D (screws) are firmly screwed, then put the bracket cover cap be connected with base. (photo VI)



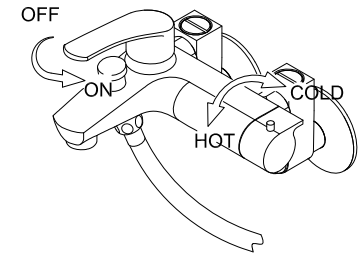
(3) Installation finished.

Release the stopping water rivet of check valve B.



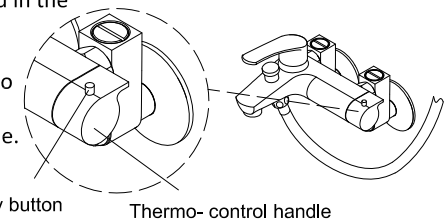
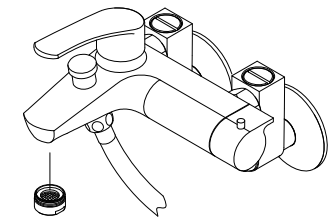
Usage instruction

- (1) Handle switch
Turn right ON
Turn left OFF
- (2) Thermostat handle
Turn forward HOT
Turn back COLD
- (3) Diverter of hand shower and tub spout
Lift up the diverter then roll it slightly to clockwise direction to "hand shower model."
Roll it slight anti-clockwise direction to press down the diverter to " tub spout model."



Maintain and Cleaning

- (1) Daily basis: Drying our faucets with a soft cloth immediately after using them.
- (2) Spraying our faucets with mild cleaner (PH value = 7), followed by cleaning them with water then drying them with a dried- soft cloth.
- (3) Aerator installed at spout of faucet should be taken off and cleaned in case mineral deposits blocked the filtered net; which will decrease the volume of water given.
- (4) Thermo –sensor part: Maintenance every month
This routine work is to prevent scale limes occurred in the inferior water condition area.
 - a. Repeat following process a few time.
Press the " safety button" to rolling the handle to the full "Hot" water side, let the water runs 10 sec. Then, rolling the handle to full "Cold" side.
 - b. Shut off the spout handle, then rolling the thermo- handle to 38 °C position.



- (5) Filtered Non- Return check Valve : Maintenance every 6 months.

- a. Using screwdriver to sealed the stopping water rivet .
- b. Release the Plug, take out the filtered net and clean it. After clean it, assemble it in the opposite process.
- c. Release the stopping water rivet.

