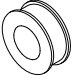

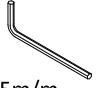
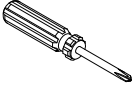
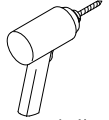
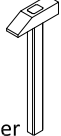


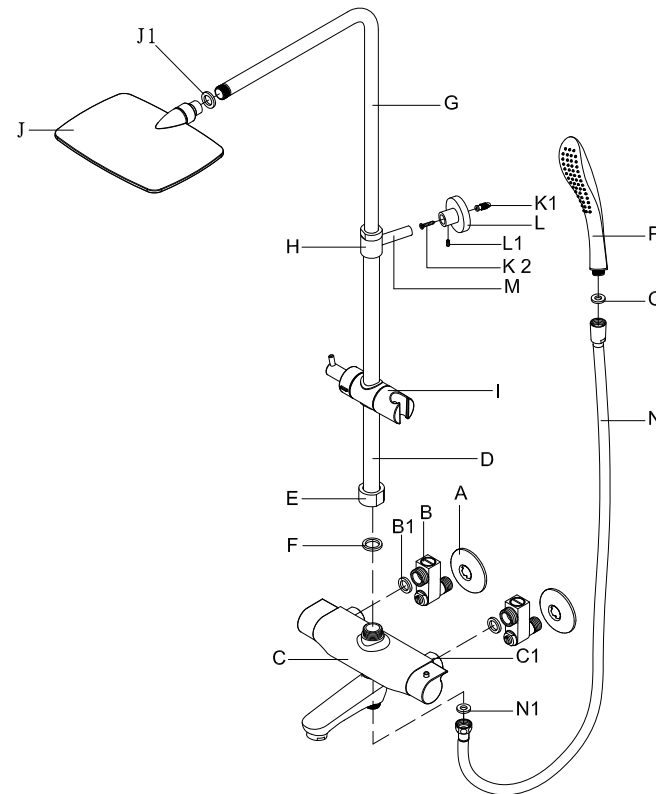
classic[®] STP1461K

Installation Instructions

Tools and Materials

 ① Thread Sealant	 ② Adjustable wrench	 ③ 2.5m/m L shape hex wrench <small>(本產品已附)</small>	 ④ Phillips screwdriver
 ⑤ Electric drill	 ⑥ Hammer		

Names of Component



NO	NAME
A	Flange Cover
B	Filtered Non- Return check Valve ; B1- sealed packing
C	Faucet (Mixer Body)
D	Vertical brass pipe
E	Fixing Nut
F	Packing
G	L brass pipe for head shower
H	L pipe fixing nut
I	Bracket of hand shower
J	Head shower (J1 – packing)
K	K1-Plastic Nail Guides Sleeve, K2- Cross Screw Nail
L	L pipe Fixing base; L1- Inner hex set screw (M5 x 0.8P x 6L)
M	L pipe Fixing bar
N	Hand shower hose; N1- sealed packing
O	Filtered net packing
P	Hand shower

Installation process

(1)

Install B into A, then apply pipe sealant to threads on B (photo I.) Wrenched B+ A to water supply hose (photo II)

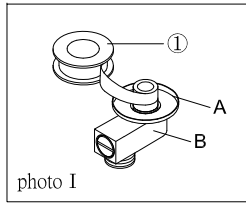
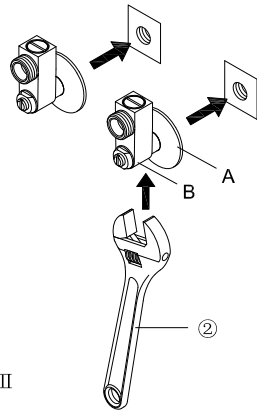


photo I

photo II



(2)

2) Install B1 into hot and cold inlets (C1), which located in the rear of faucet body C. Then, wrench C1 to B and make sure the faucet body C is stabilized on B (photo I.) Faucet body installation finished.

Remark: Pipe location of thermostatic faucet is "hot water route at left, cold water rout at right. If the route of your pipe is opposite, the faucet will not effective with the function to adjust temperature.

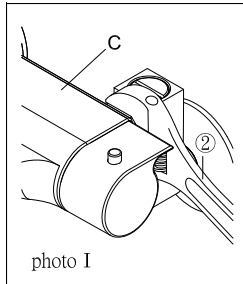


photo I

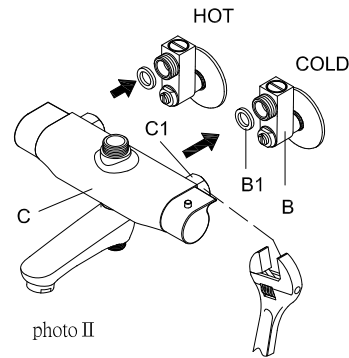


photo II

(3) Confirm the position of L.

Put F into C before connecting D & C via E. Then slightly fasten nut E.

Then, Temporary fix L on M and decide the height of L.

Once you confirm the location of L, Using electric drill to drill a hole in diameter $\Phi 6.5 \times 30\text{mm}$ depth. The hole is for Plastic Nail Guides Sleeve K1 .

Hammering K1 into the hole.

Using Phillips screwdriver to fixing L by K2.

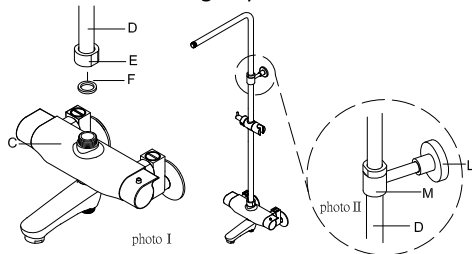


photo I

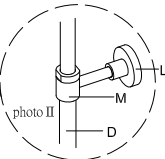


photo II

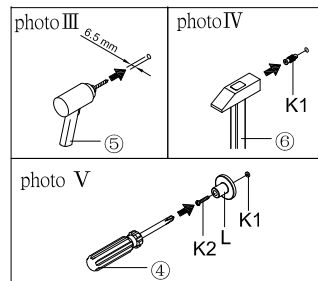


photo III

photo IV

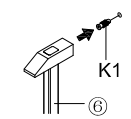
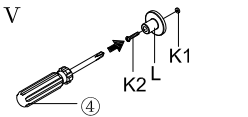


photo IV

photo V



Maintain and Cleaning

(1) Day to day basis: Drying our faucets with a soft cloth immediately after using them.

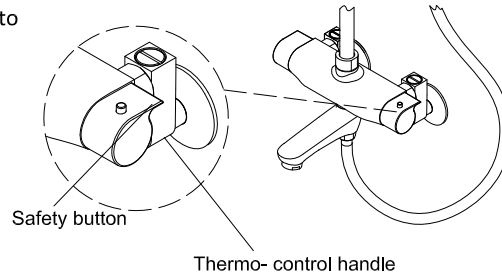
(2) Thermo –sensor part: Maintenance every month

This routine work is to prevent scale limes occurred in the inferior water condition area.

a. Repeat following process a few time.

Press the “ safety button” to rolling the handle to the full “Hot” water side, let the water runs 10 sec. Then, rolling the handle to full “Cold” side.

b. Shut off the spout handle, then rolling the thermo- handle to 38 °C position.

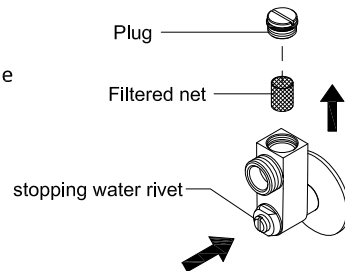


(3) Filtered Non- Return check Valve : Maintenance every 6 months.

a. Using screwdriver to sealed the stopping water rivet .

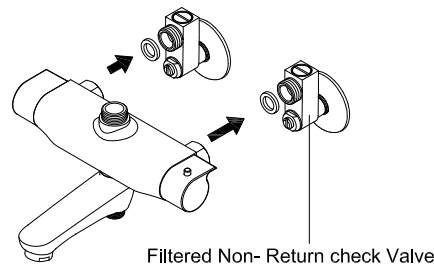
b. Release the Plug, take out the filtered net and clean it, assemble it in the opposite process.

c. Release the stopping water rivet.



Reminder

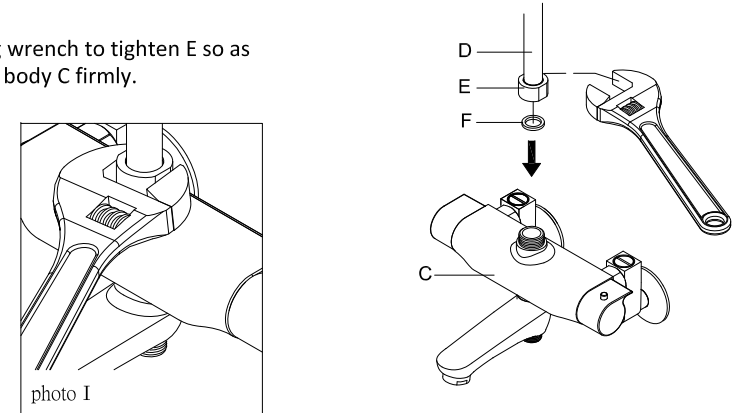
Before installing the faucet, kindly clean the wall pipes first to avoid “ hand shower” and “ head shower” getting clogged easily.



Installation process

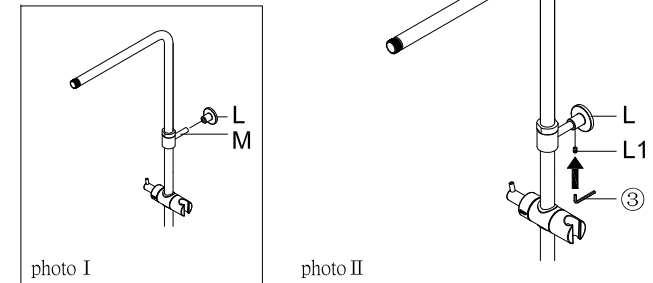
(4)

Insert D,E,F to D, then using wrench to tighten E so as to fix D pipe on the faucet body C firmly.



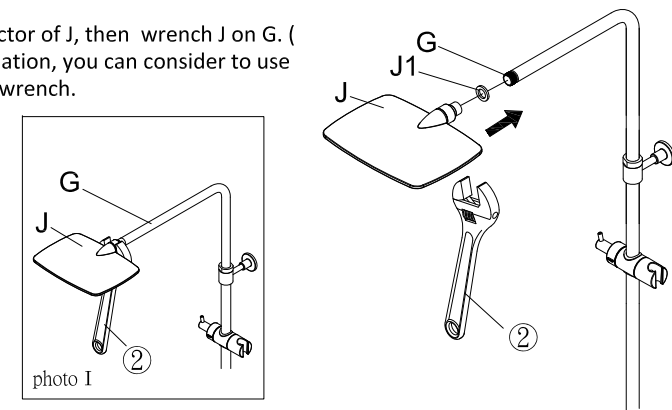
(5)

Insert M into L, then using the “2.5m/m L shape hex” to fix M & L firmly through L1 (Inner hex set screw (M5 x 0.8P x 6L).)



(6)

Insert J1 into connector of J, then wrench J on G. (Depends on the situation, you can consider to use tool “2” Adjustable wrench.

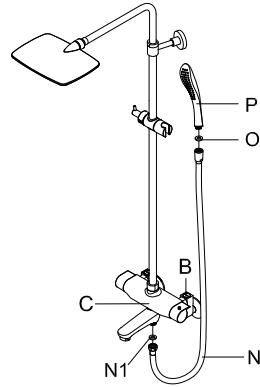


Installation process

(7)

Insert N1 into shower hose N, then wrench it on C. Then put packing O into the other end of N. Connecting P and N.

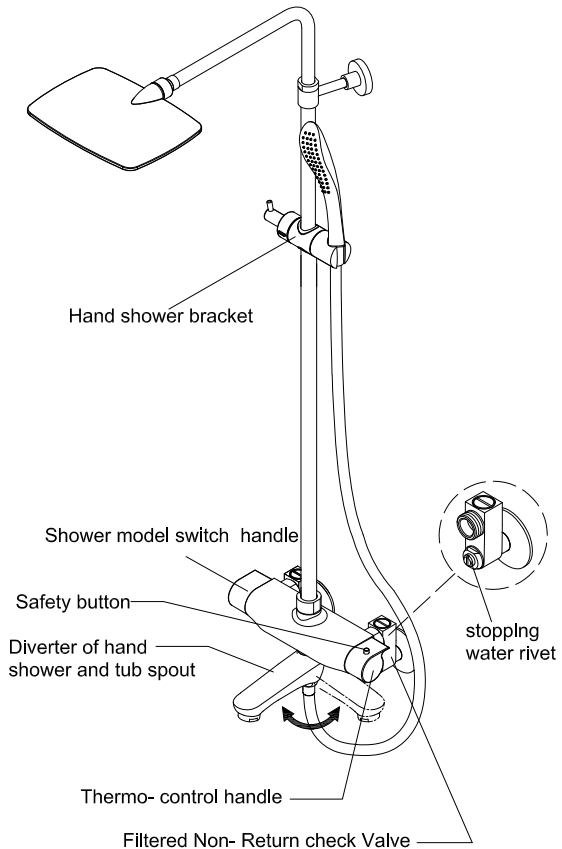
Release the stopping water rivet of check valve B.



Usage instruction

Function

- (1) Shower model switch handle(Left side)
 - ☒ Rain shower model : roll the handle direction to the rear.
 - Shut off water dispense.
 - ☒ Hand shower model. Roll the handle direction to the front.
- (2) Thermo- control handle
 Recommended water temperature: 38°C.
 (original setting when goods be received.)
 Should you need a higher temperature than 38°C while showering, press the safety button and roll the handle to the left(Hot) end. On the contrary, roll the handle to the right(Cold) end with a cold water (no need to press the safety button.
- (3) Safety button: Prevent the user incautiously rolled the control handle to hot end and cause scalding.
- (4) Hand shower bracket: It is adjustable of the height, just press the knob on the bracket then push it up or down. It benefits different height user to use it while showering.
- (5) Turn the spout to switch the water flow from Hand shower or spout
 Turn to the right side: water flows from the hand shower.
 Turn to the front side: water flows from the spout



Suitable environment

- (1) Suitable Heating water system:
 1. Gas boiler, Digital thermo- gas boiler and Instantaneous water boiler.
 2. Temperature recommendation of each heating water system to perform our thermostatic shower mixer effectively:
 Gas boiler: Low ~ Median Fire
 Digital thermo-gas boiler: 50- 55°C
 Instantaneous water boiler: 60- 65°C
- (2) Suitable water pressure : 1- 3.5 kgf/ cm2